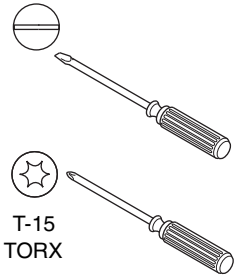
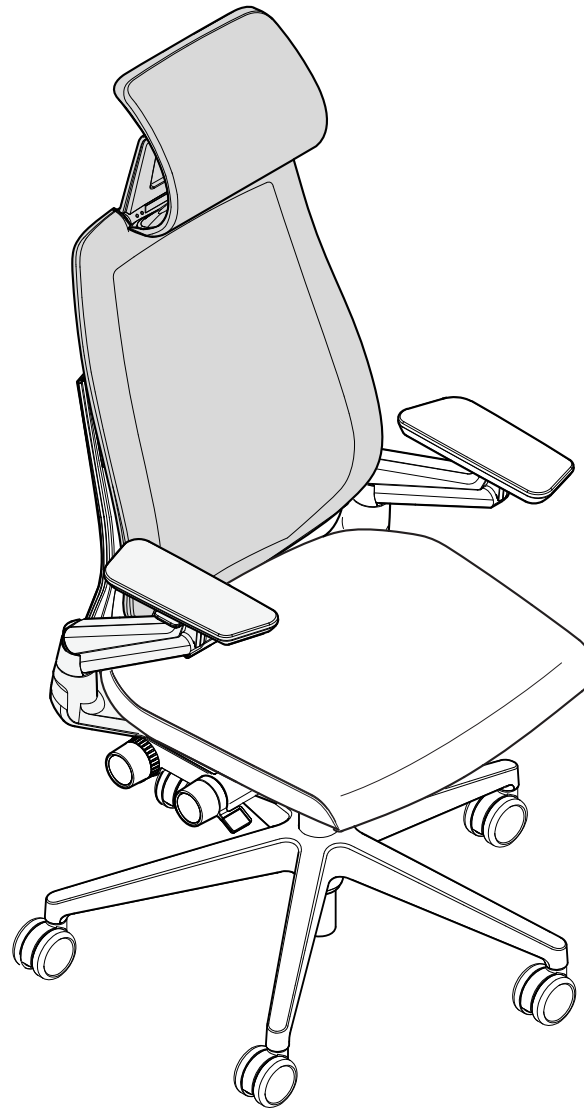
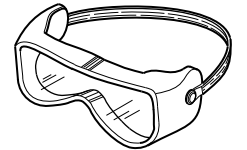




442 Gesture™ Chair - Headrest Upper Back Cushion Replacement and/or Headrest Assembly Replacement and/or Headrest Back Cushion Replacement



T-15
TORX



If you have a problem, question, or request, call your local dealer, or Steelcase Line 1 at **888.STEELCASE** (888.783.3522) for immediate action by people who want to help you.

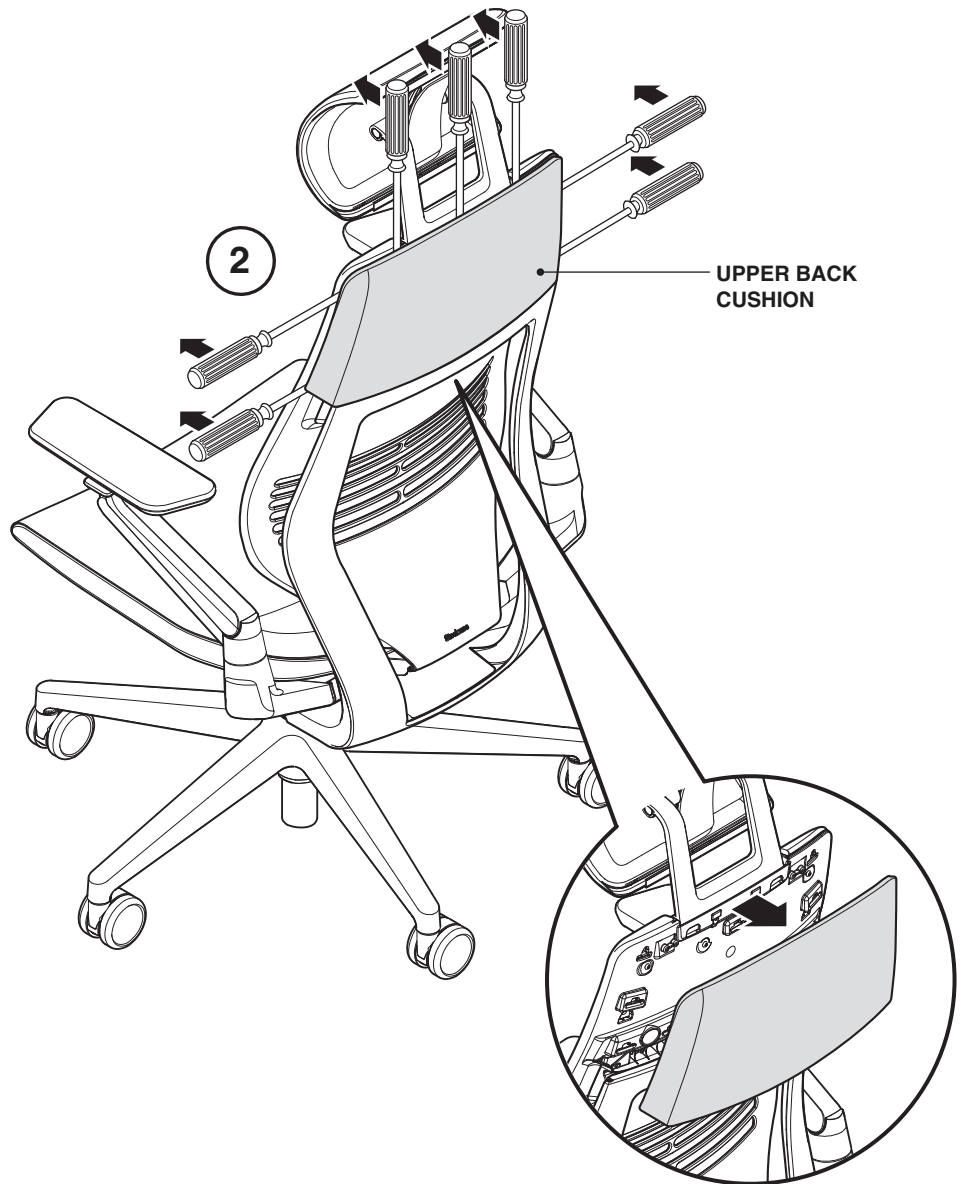
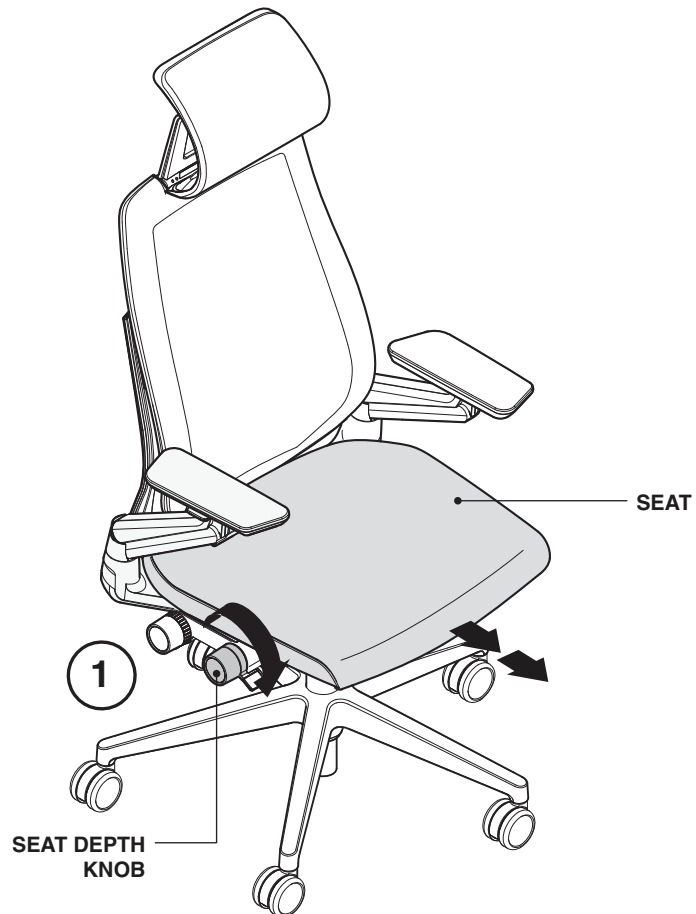
(Outside the U.S.A., Canada, Mexico, Puerto Rico, and the U.S. Virgin Islands, call: 1.616.247.2500)
Or visit our website: www.steelcase.com

© 2016 Steelcase Inc.
Grand Rapids, MI 49501
U.S.A.

Printed in U.S.A.

1. Rotate seat depth knob clock-wise to extend seat forward.
2. Slip large screw driver between upper back cushion and outer back shell. Pull outward to disengage "T" clips. Work from one lower corner to the other. Totally remove the upper back cushion.

If you are only replacing the Upper Back Cushion, go directly to page 7.



Optional: Headrest Assembly Replacement

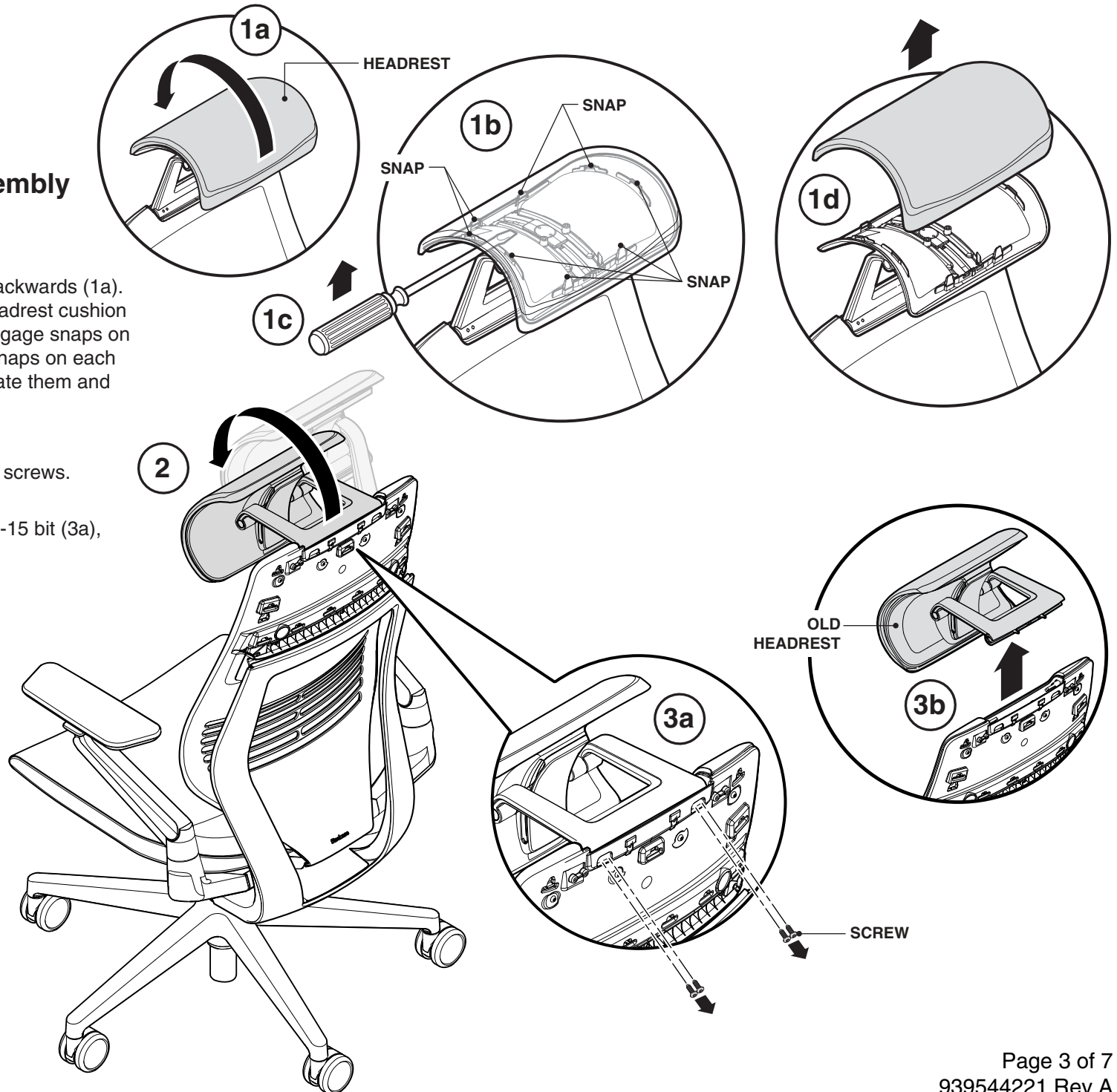
1. Rotate the top of the headrest backwards (1a). Slip a large screwdriver between headrest cushion and shell (1b). Pry upwards to disengage snaps on back of cushion (1c). (There are 2 snaps on each side, top and bottom.) Totally separate them and save cushion (1d).

2. Rotate headrest down to access screws.

3. Remove four (4) screws with a T-15 bit (3a), then remove old headrest (3b).

4. Install new headrest by reversing steps 2 & 3 above.

NOTE: Make sure holes in hinges align with screw holes in bottom of new headrest.

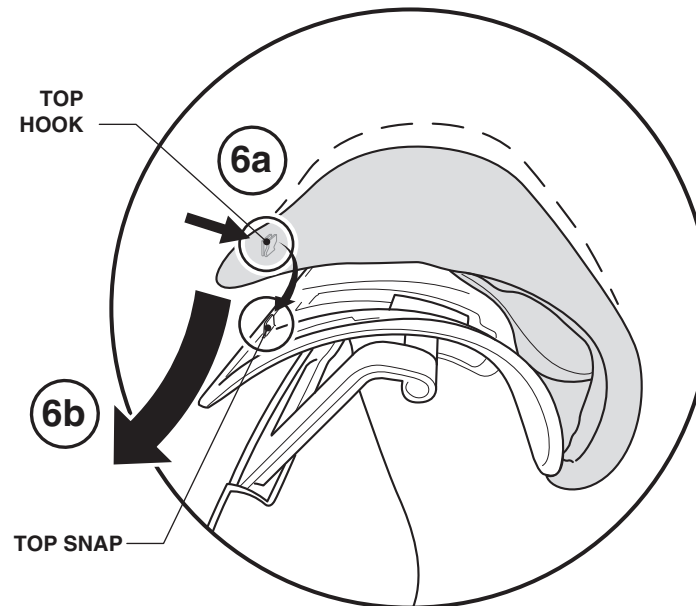
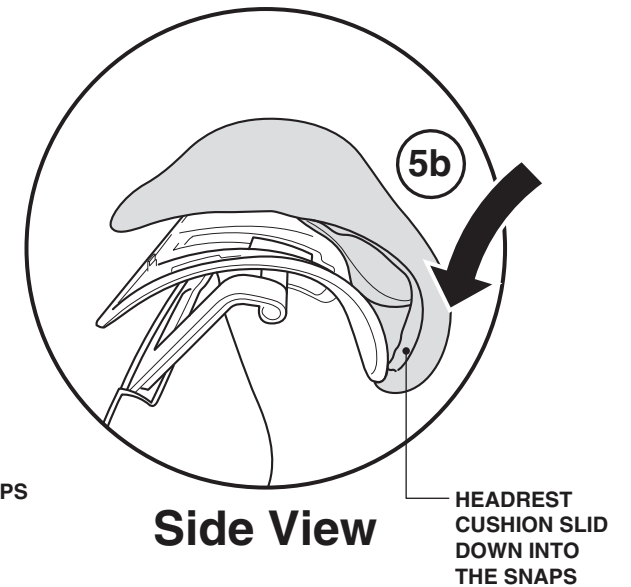
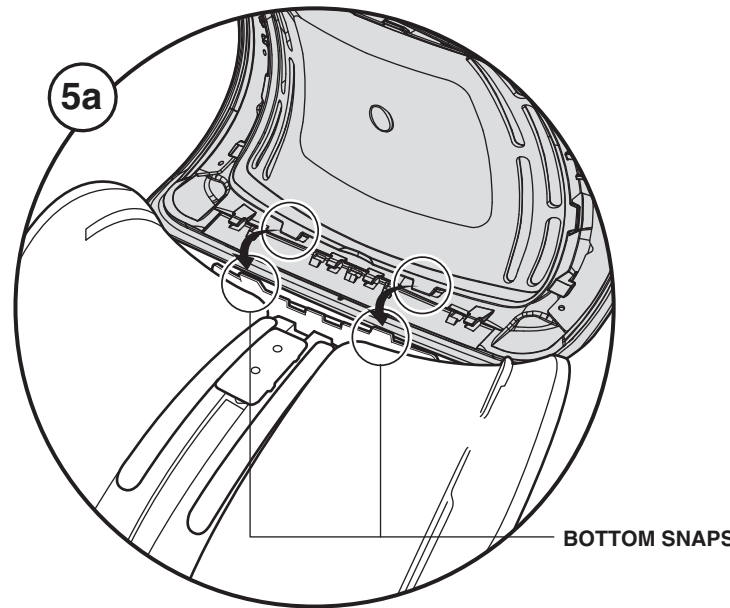


Optional: Headrest Assembly Replacement (continued)

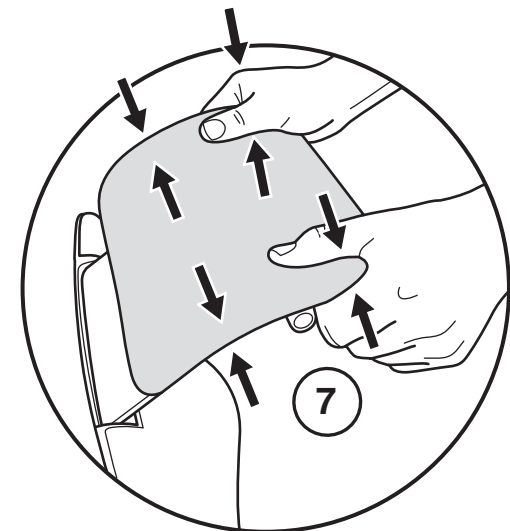
5. Reinstall headrest cushion by centering side to side and aligning the bottom snaps (5a). Slide the headrest cushion down into the snaps (5b).

6. Flex the top of the cushion back to clear the top hooks (6a). Slide top edge down and engage the top snaps (6b).

7. Squeeze both sides of the cushion to engage the side snaps. The cushion will sit tight against the shell all of the way around when properly installed.



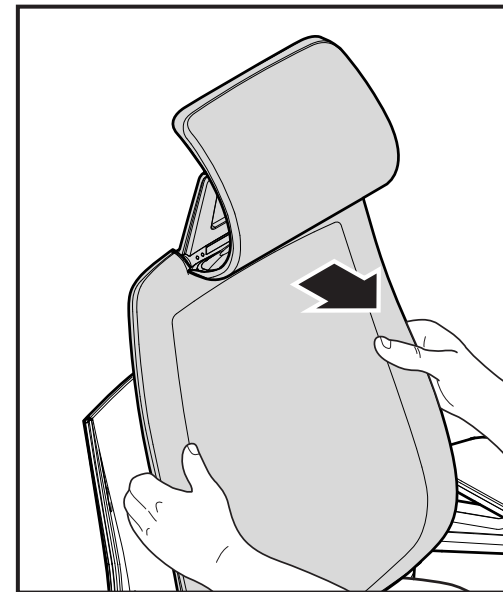
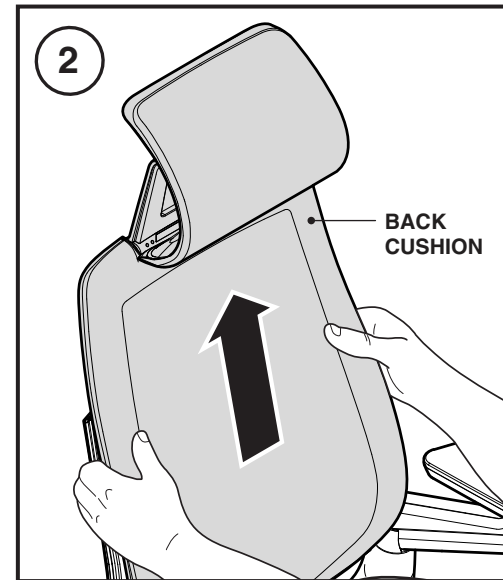
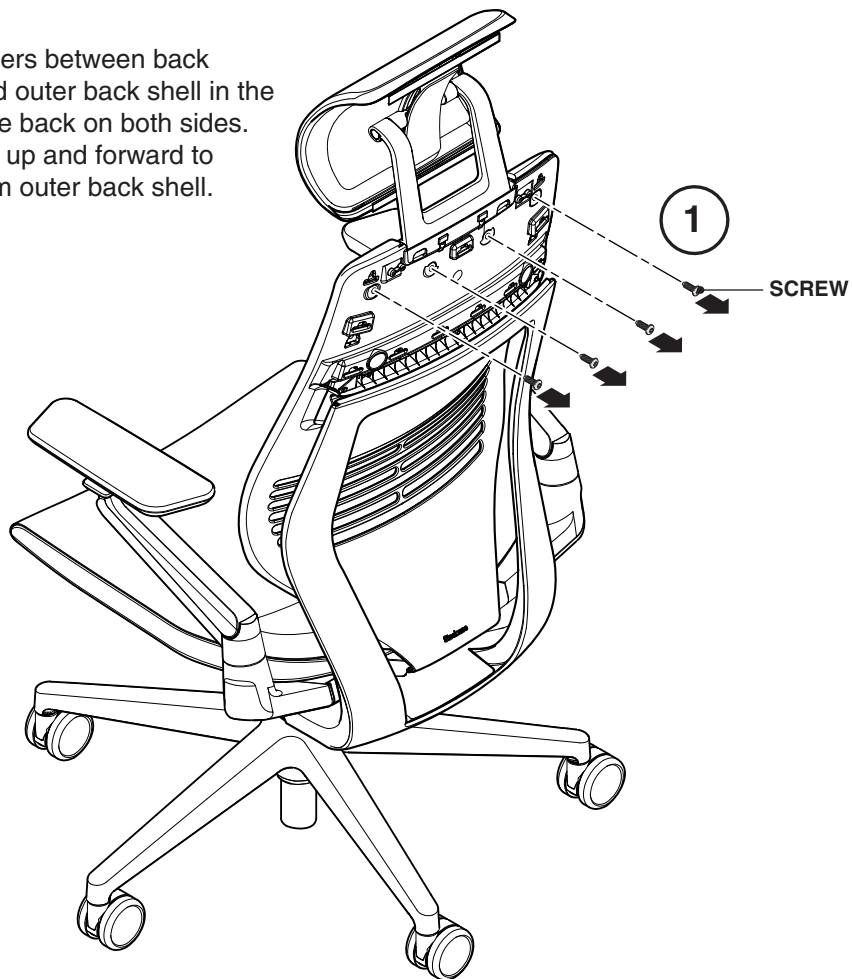
Side View



Optional: Replace Back Cushion

1. Remove four (4) screw from outer back shell using a Torx 15 driver to loosen back cushion.

2. Slip fingers between back cushion and outer back shell in the center of the back on both sides. Lift cushion up and forward to unhook from outer back shell.



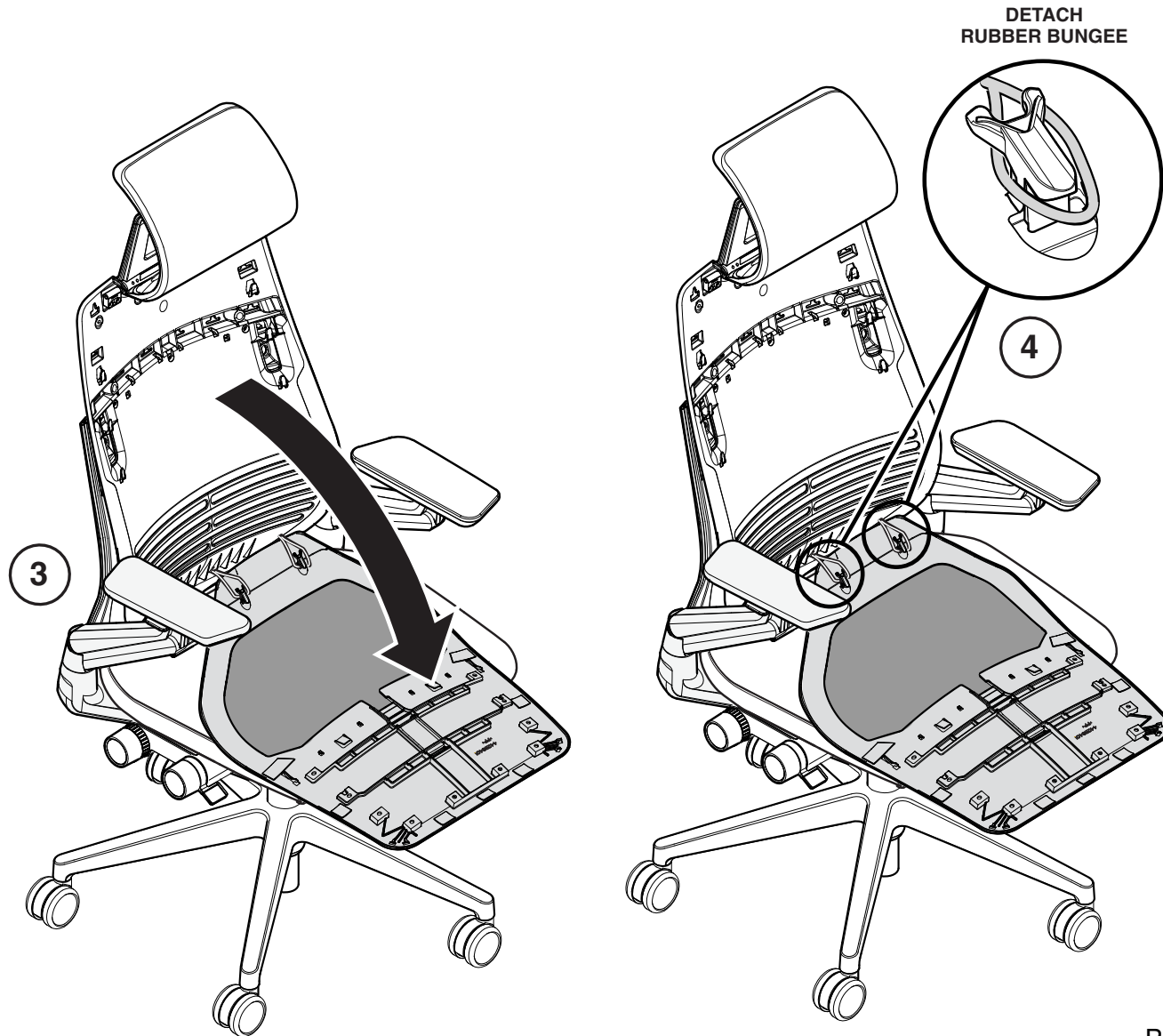
Optional: Replace Back Cushion (continued)

3. Lay cushion down.

4. Detach two (2) rubber bungees from hooks to remove old cushion.

To install new Back Cushion:

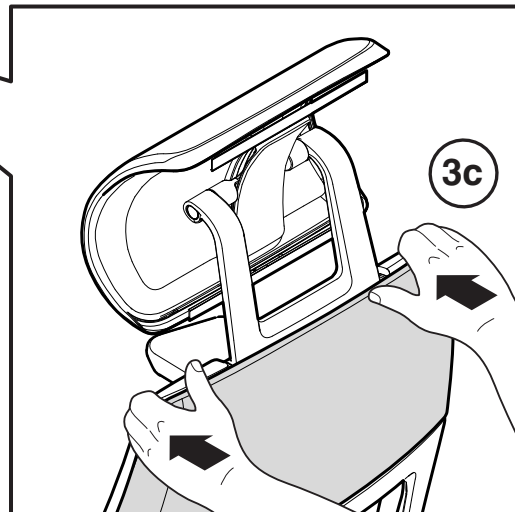
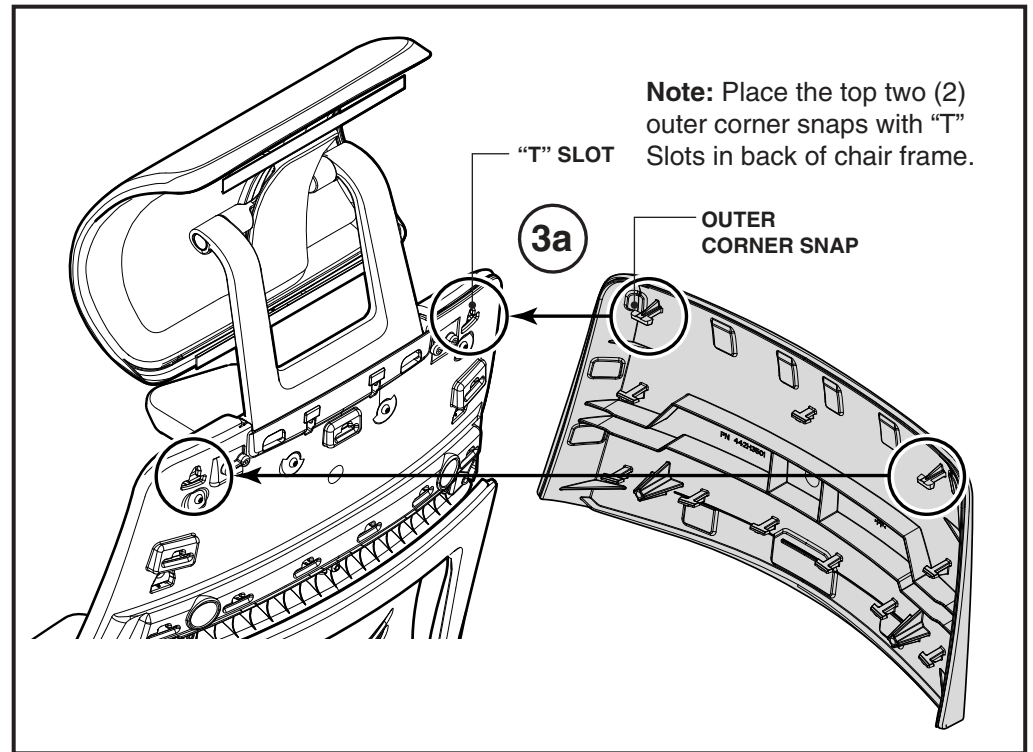
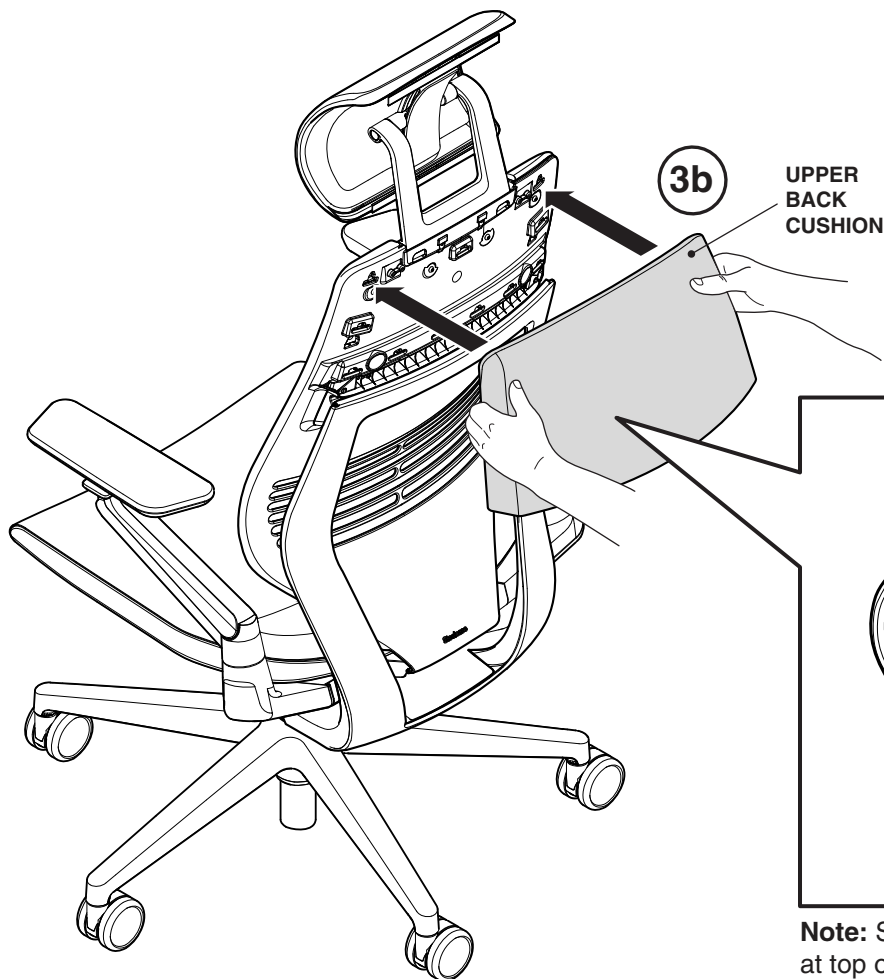
- Lay cushion down on seat.
- Attach two (2) rubber bungees onto back cushion hooks.
- Lift and pull top of cushion slightly past top of back shell. Hook lumbar handles around back shell on each side. Hold cushion tight against the back shell and slide down onto hooks. Make sure all hooks are engaged and the cushion and shell appear seamless.



Replace Upper Back Cushion

3. To assemble the replacement upper back cushion, align the top two, outer corner snaps with their corresponding “T” slots (3a).

Insert (3b) and squeeze both corners (3c). The rest of the snaps will align. Push all of the way around the perimeter to finish the assembly.



Note: Squeeze both corners at top of upper back cushion.